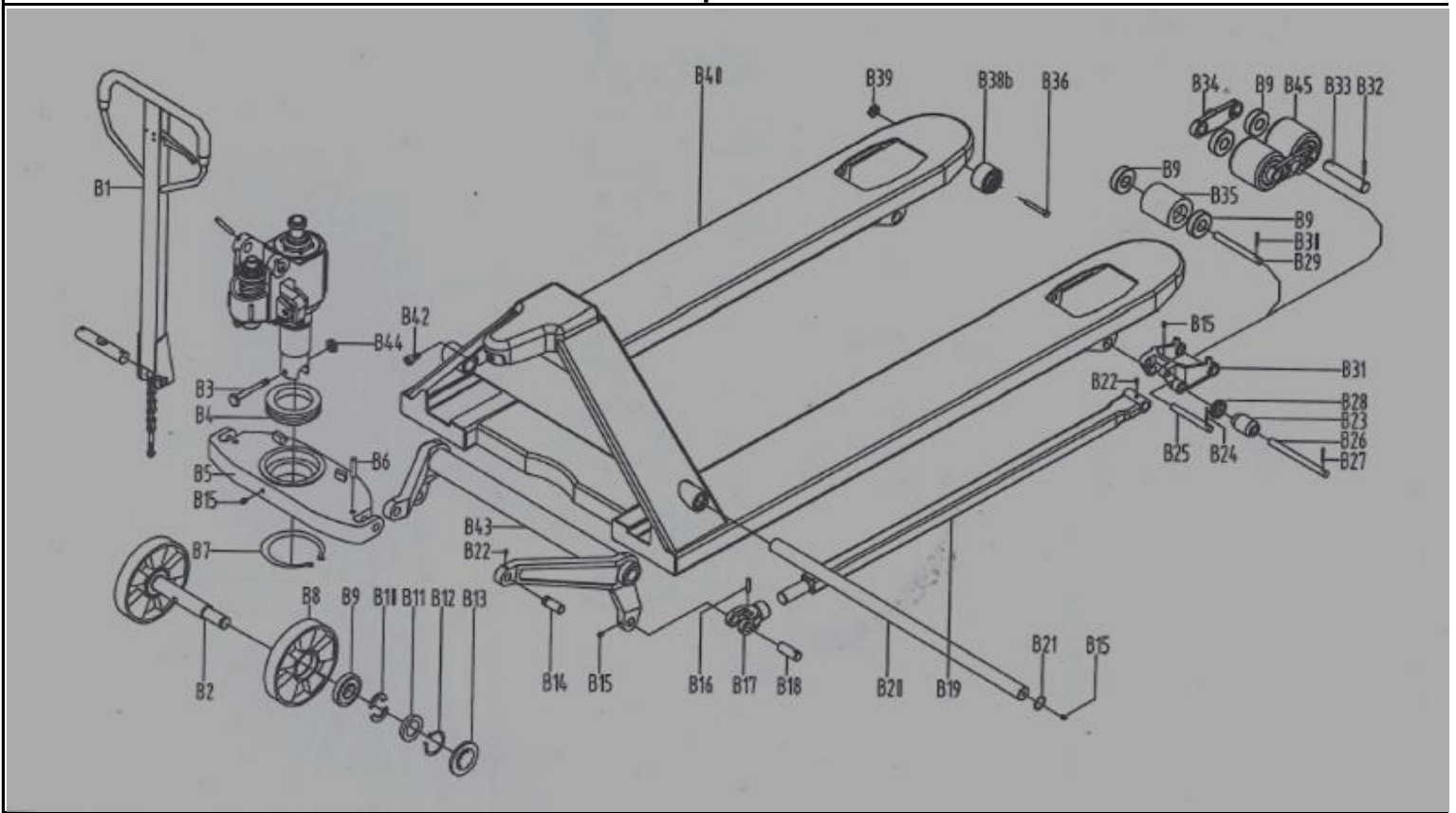
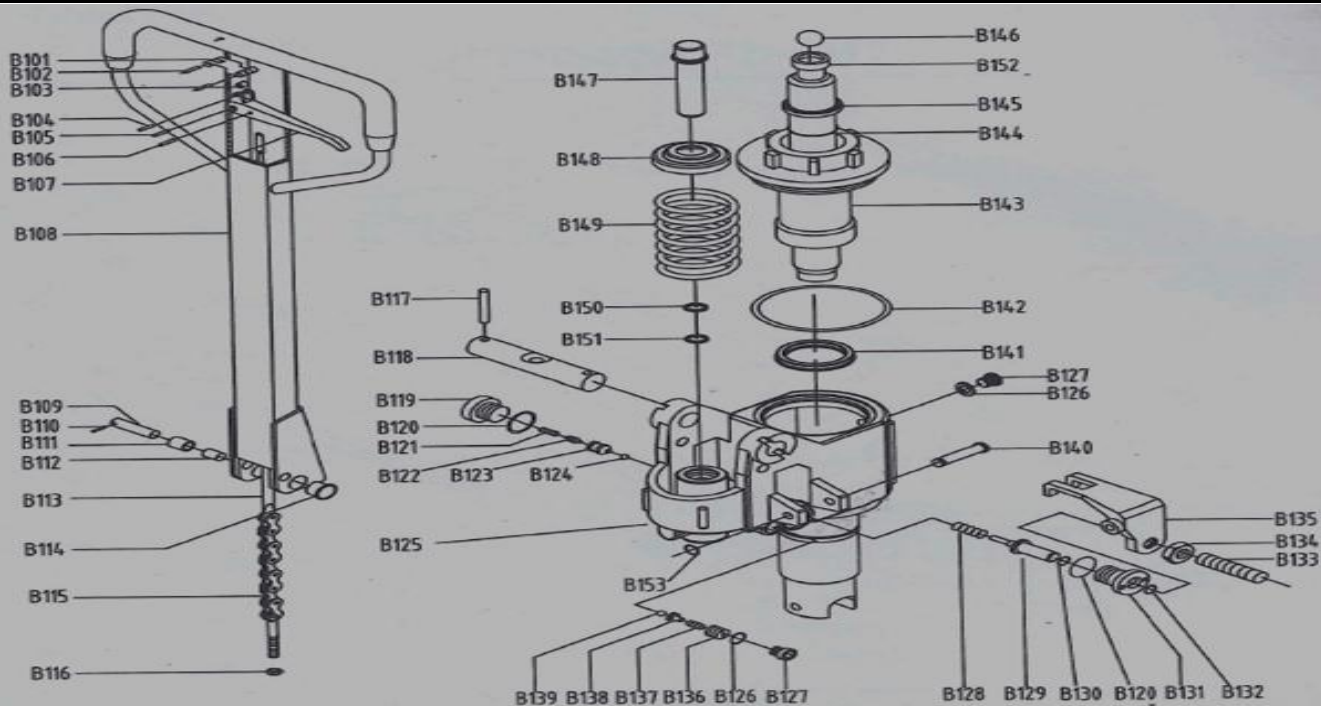


BF Hand pallet Truck



No.	Name	Qty.	No.	Name	Qty.
B1	HANDLE AND PUMP COMPLETE	1	B24	SPRING PIN	2
B2	BIG WHEEL SHAFT	1	B25	SHAFT 15X85	2
B3	BOLT	1	B26	SHAFT 20X152	2
B4	BEARING AXIAL	1	B27	SPRING PIN 5 X 35	2
B5	SUPPORTING BASE	1	B28	ROLL RING	4
B6	SPRING PIN	2	B29	SHAFT 20X122	2
B7	RING FOR AXLE	1	B30	SPRING PIN 5X32	2
B8	BIG WHEEL-PU	2	B31	FRAME OF WHEEL	2
B9	BEARING	8//12	B32	SPRING PIN 5X32	8
B10	HALF RING	4	B33	SHAFT 20X95	4
B11	WASHER	2	B34	NOG OF WHEEL	4
B12	RETAINING RING FOR AXLE	2	B35	WHEEL 80/74X93	2
B13	DUST COVER	2	B36	BOLT M6X55	2
B14	PIN	2	B38b	WHEEL	2
B15	OILER M6	7	B39	LOCK NUT M6	2
B16	SPRING PIN 5 X 28	2	B40	FORK FRAME	1
B17	JOINT	2	B42	BOLT M6X12	1
B18	PIN 16X44	2	B43	ROCKER ARM	1
B19	STRAIGHT TAPPET	2	B44	LOCK NUT M8	1
B20	LONG SHAFT	1	B45	WHEEL 80/74X70	4
B21	RETAINING RING FOR HOLE	2			
B22	OILER 6	4			
B23	ROLL SHEATH	2			

BF Hand pallet Truck



No.	Name	Qty.	No.	Name	Qty.
B101	BLADE SPRING	1	B130	O-RING 6.9 X 1.8	1
B102	SPRING PIN	2	B131	SEAT OF STRIKE PIN	1
B103	ROLLER	1	B132	O-RING 8 X 2.65	1
B104	SPRING PIN	1	B133	BOLT M6X25	1
B105	SPRING PIN	1	B134	NUT M6	1
B106	SPRING PIN	1	B135	LEVEL PLATE	1
B107	HANDLE	1	B136	BOLT M10X1	1
B108	HANDLE TUBE	1	B137	SPRING 2 X 8 X 16	1
B109	SHAFT	1	B138	BALL BASE	1
B110	SPRING PIN	1	B139	STEEL BALL 5	1
B111	PRESSURE ROLLER	1	B140	PIN 8X58	1
B112	BUSH	1	B141	Y-RING	1
B113	PULL POLE	1	B142	O-RING 65X2.65	1
B114	BUSH SF-1F2015	2	B143	CYLINDER CAP	1
B115	CHAIN C-6-9-04A	1	B144	O-RING	1
B116	LOCK NUT M5	1	B145	DUST RING	1
B117	SPRING PIN 5X35	2	B146	STEEL BALL 19.05	1
B118	SHAFT	1	B147	PUMP PLUNGER	1
B119	PLUG	1	B148	WASHER	1
B120	COPPER WASHER	2	B149	SPRING	1
B121	SPRING	1	B150	DUST RING 18	1
B122	SPINDLE OF SAMPING VALVE	1	B151	Y-RING 18	1
B123	SEAT OF VALVE	1	B152	PISTON ROD	1
B124	STEEL BALL 6.35	1	B153	RING FOR AXLE 8	1
B125	BASE	1			
B126	COPPER WASHER 10	2			
B127	PLUG M10X1	2			
B128	SPRING	1			
B129	STRIKE PIN	1			



Vertical line